









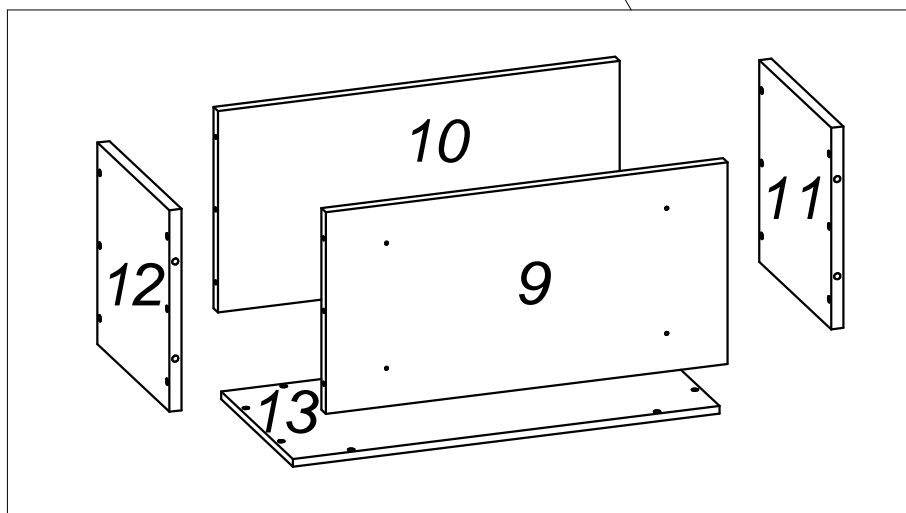
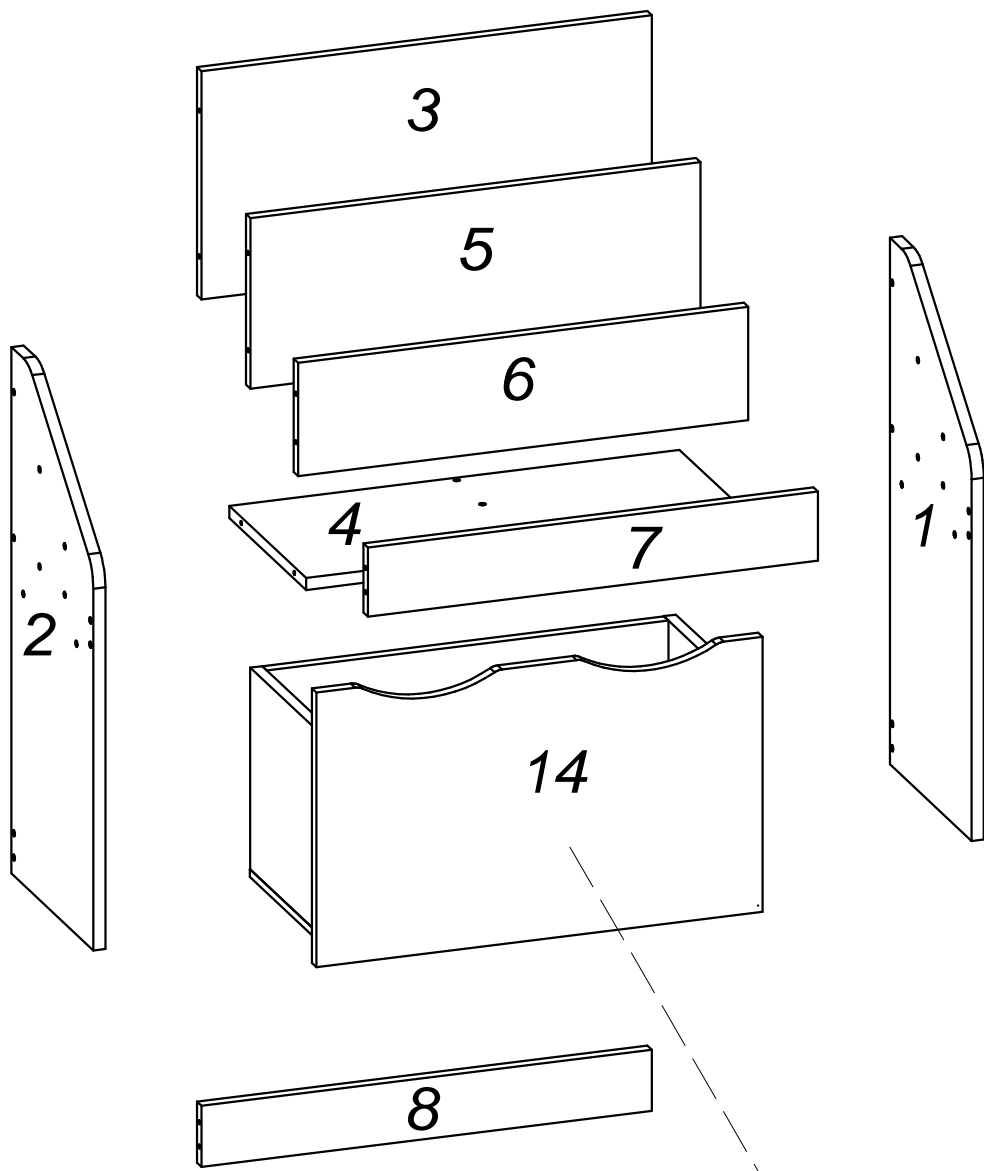
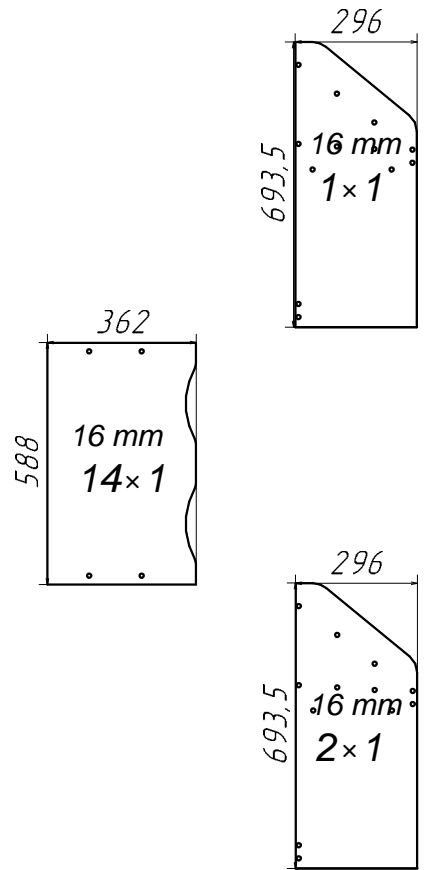
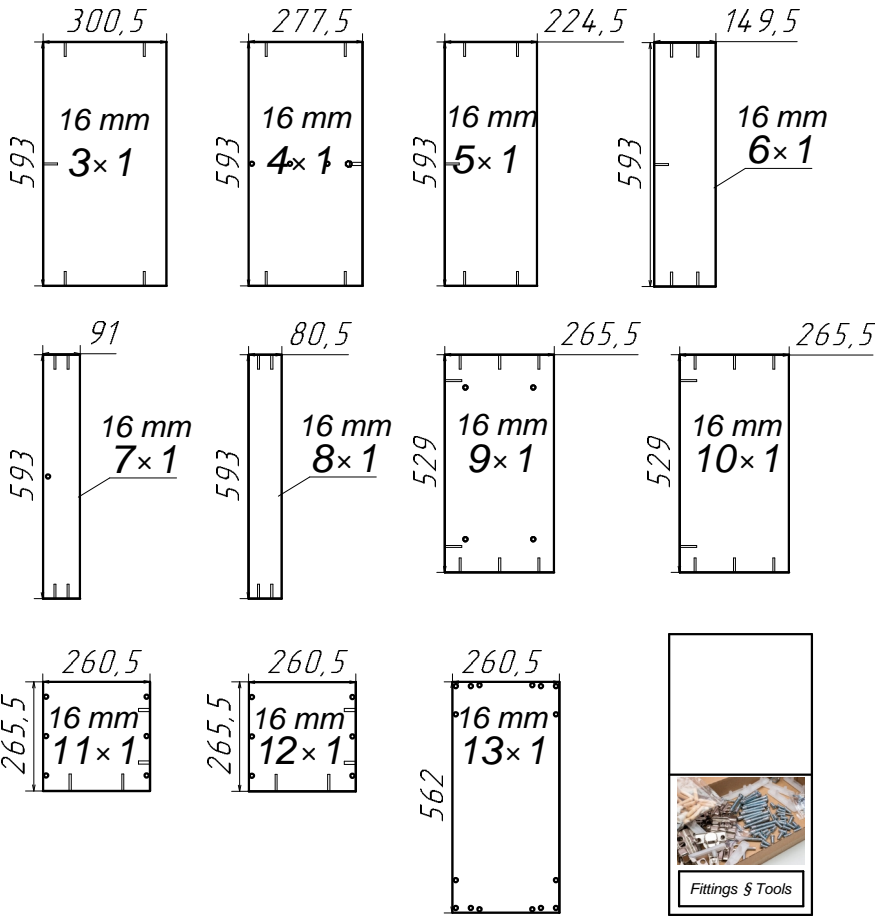
 <p>$\varnothing 6,3 \times 50 \text{ mm}$</p> <p>A1 x 47</p>	 <p>$\varnothing 12 \text{ mm}$</p> <p>A2 x 39</p>	 <p>4 mm</p> <p>A3 x 1</p>	 <p>$\varnothing 15 \times 12 \text{ mm}$</p> <p>B1 x 1</p>	 <p>$\varnothing 5 \times 44 \text{ mm}$</p> <p>B2 x 1</p>
 <p>$\varnothing 20 \text{ mm}$</p> <p>B3 x 1</p>	 <p>$\varnothing 4 \times 16 \text{ mm}$</p> <p>D1 x 18</p>	 <p>$\varnothing 4 \times 30 \text{ mm}$</p> <p>D2 x 4</p>	 <p>$\varnothing 8 \times 36 \text{ mm}$</p> <p>G x 4</p>	 <p>N1 x 4</p>
 <p>h 7 mm</p> <p>N2 x 5</p>				

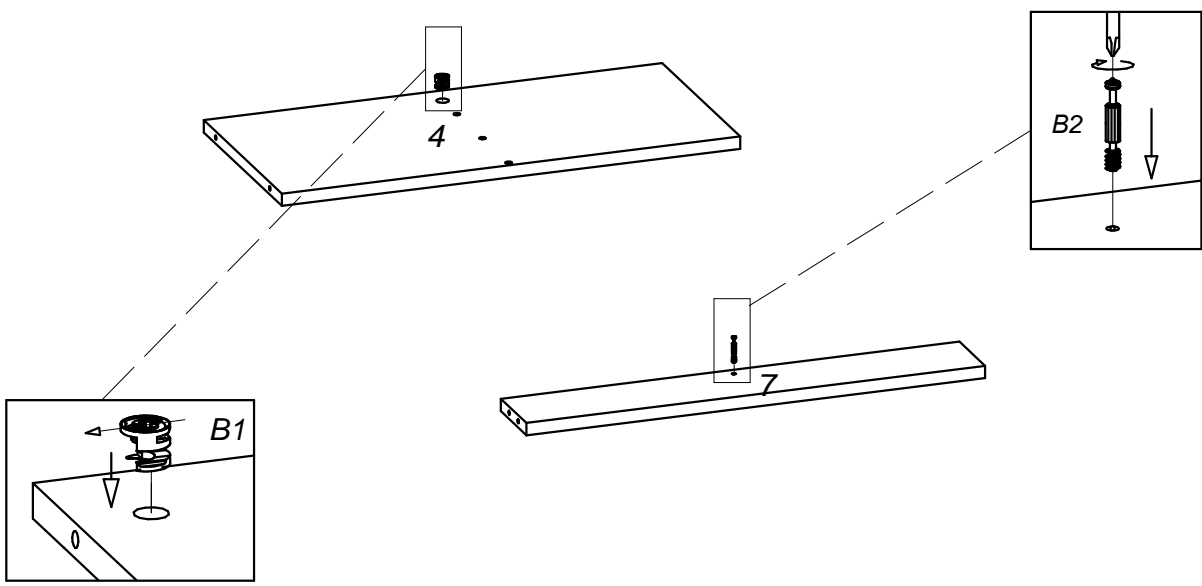


Box 1 / 2

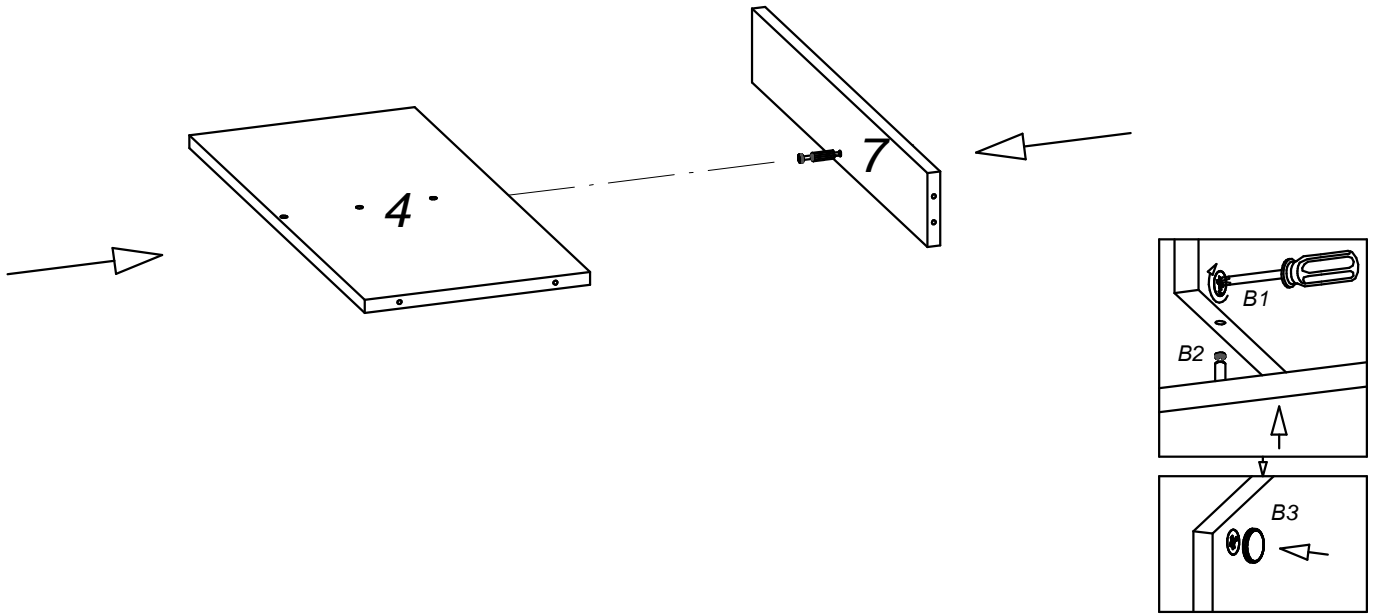
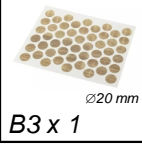
Box 2 / 2



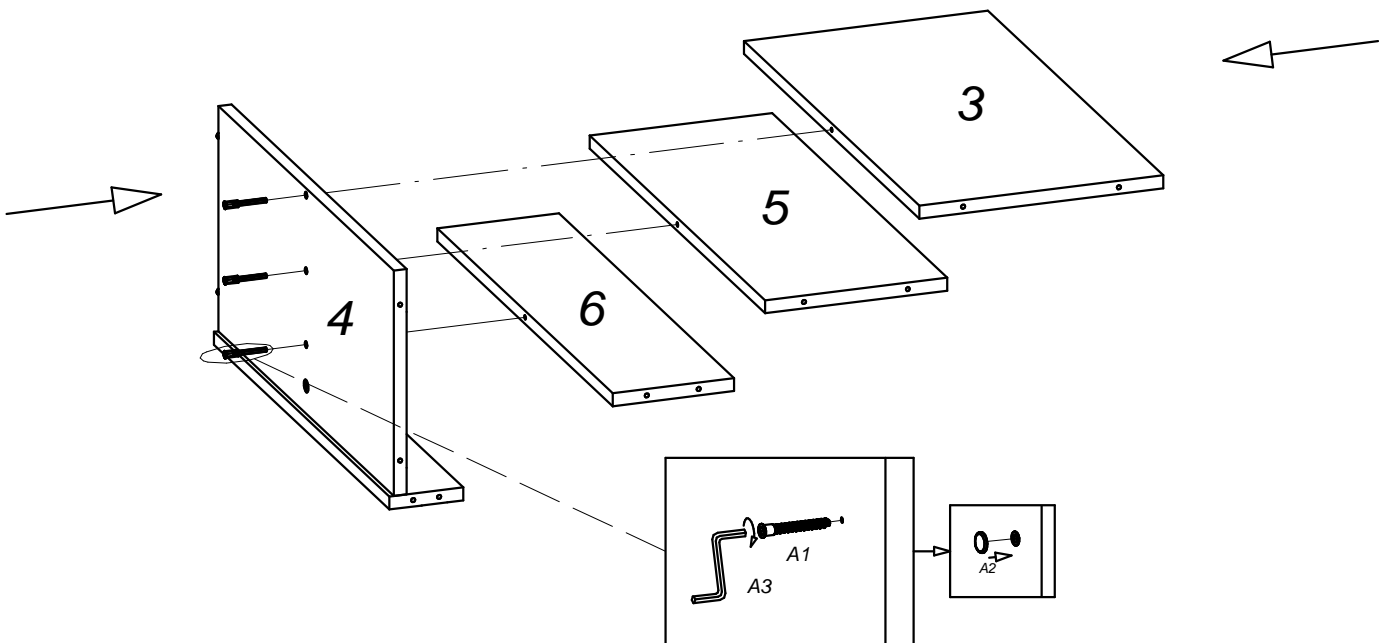
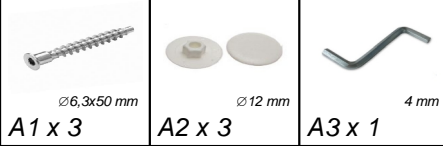
1






2

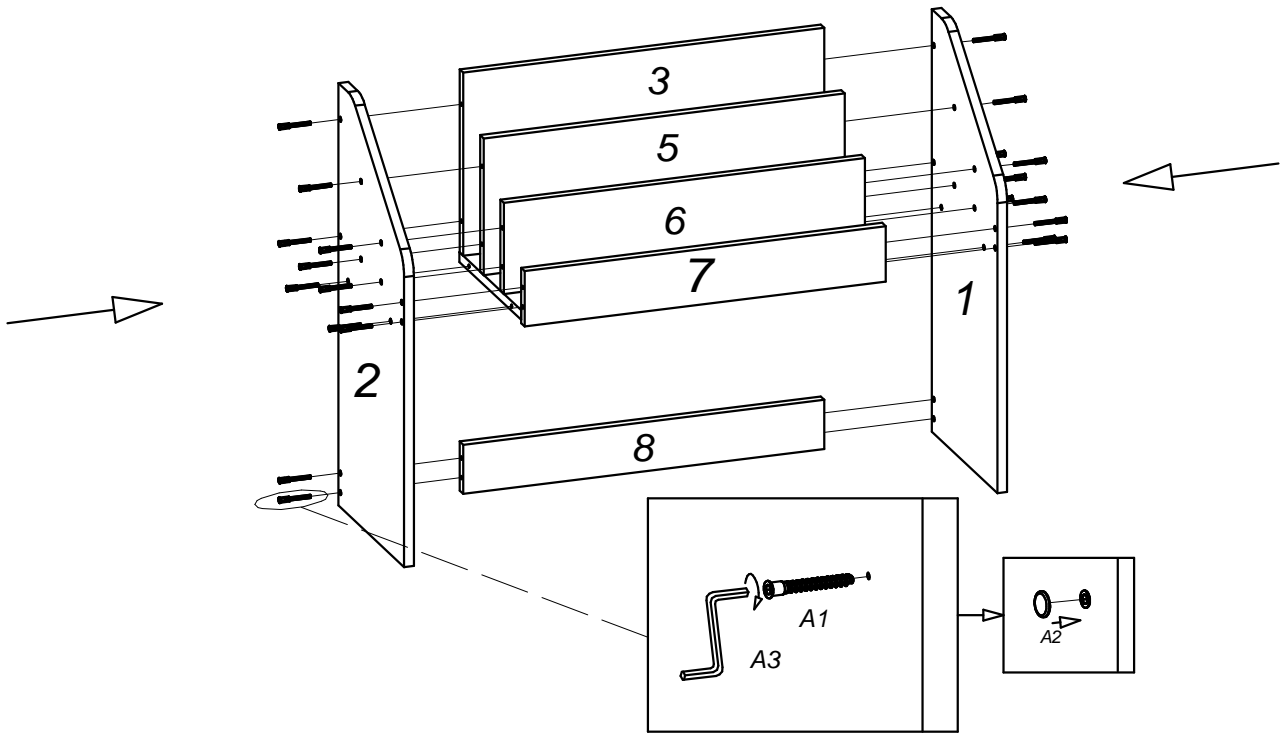


3





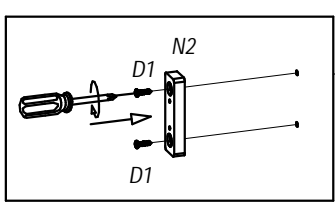
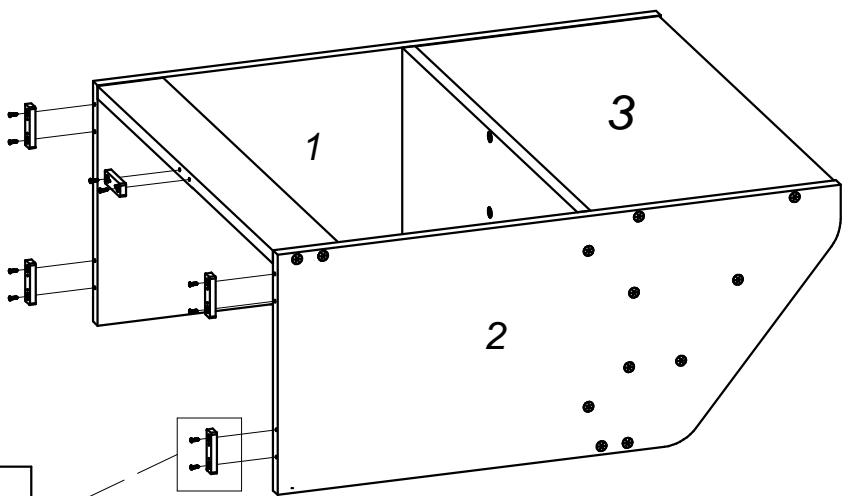
4

 ∅6,3x50 mm A1 x 24	 ∅12 mm A2 x 24	 4 mm A3 x 1							
---	---	--	--	--	--	--	--	--	--






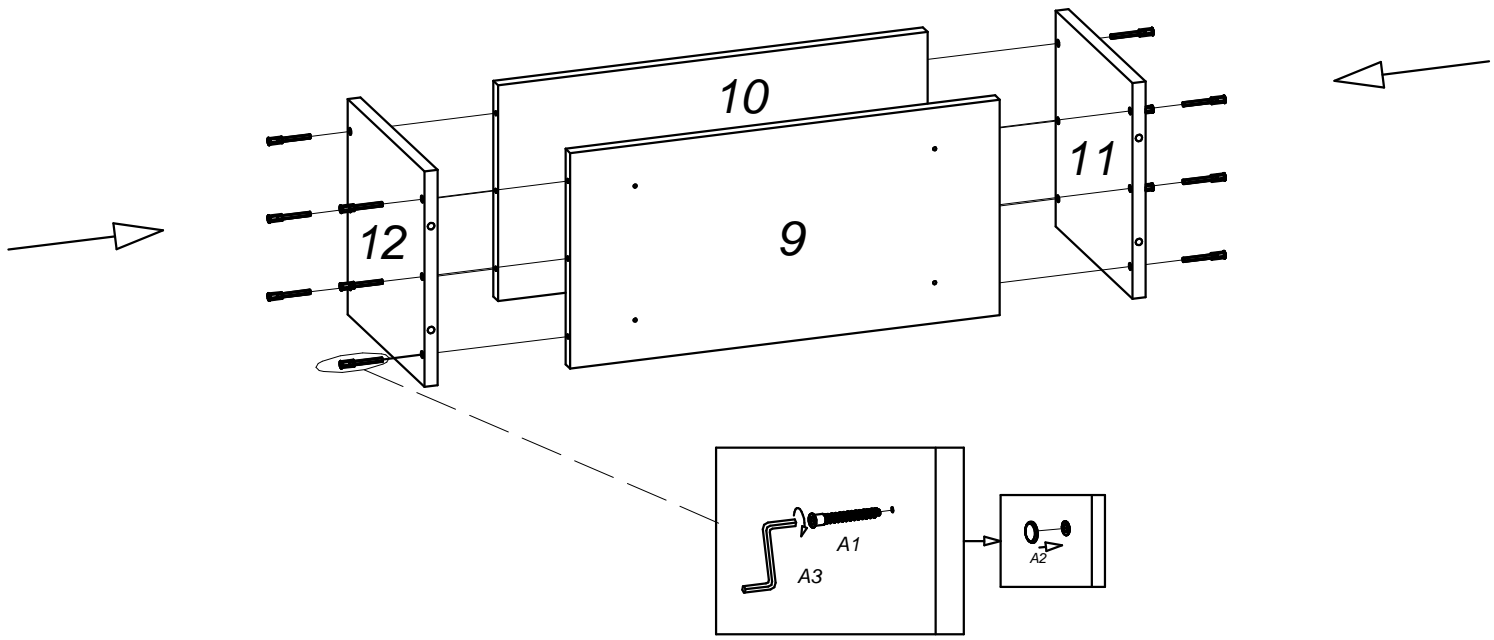
5

 ∅4x16 mm D1 x 10	 h 7 mm N2 x 5								
--	---	--	--	--	--	--	--	--	--







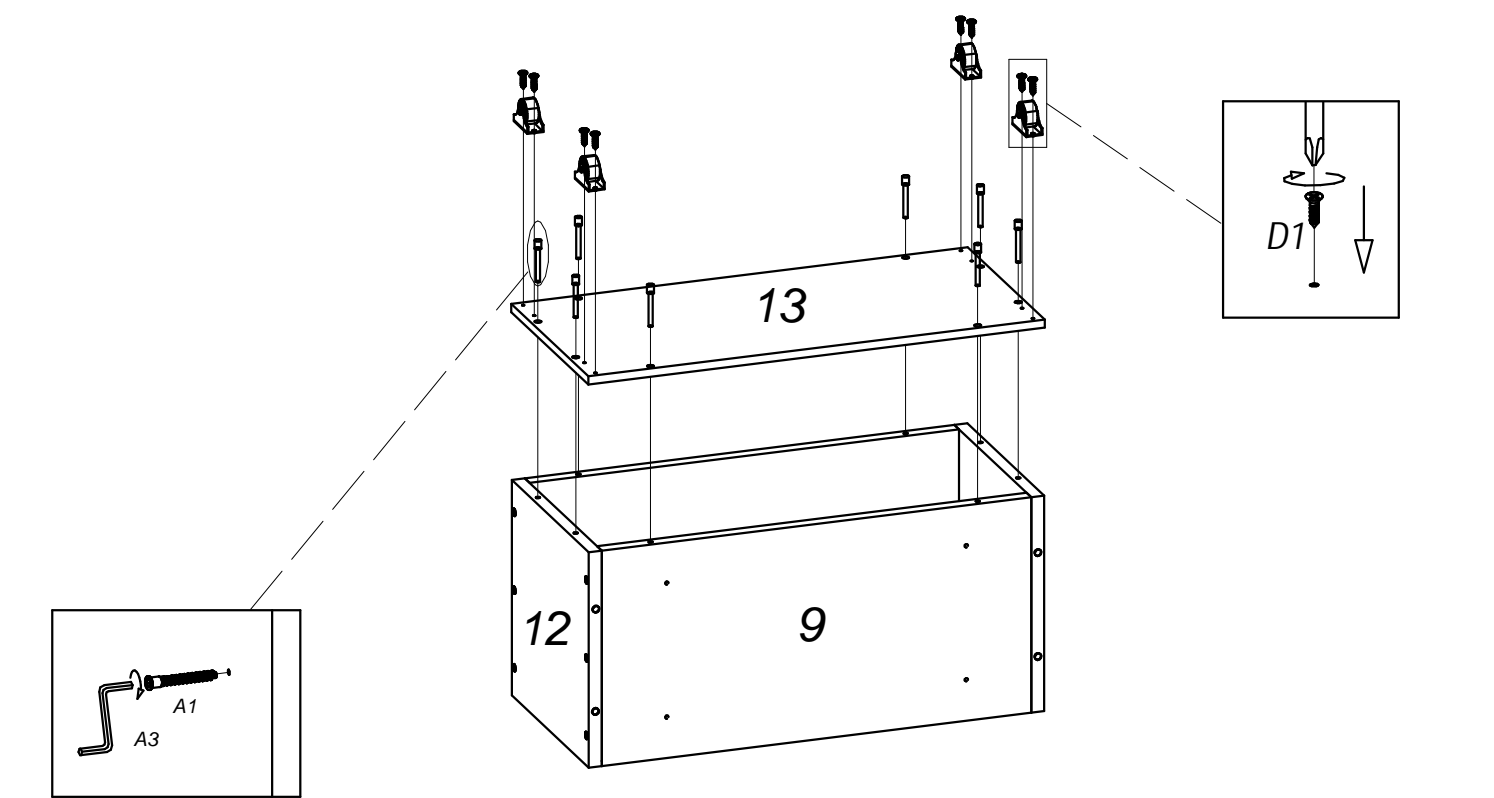
6

 ∅6,3x50 mm A1 x 12	 ∅12 mm A2 x 12	 4 mm A3 x 1						
---	---	--	--	--	--	--	--	--



7

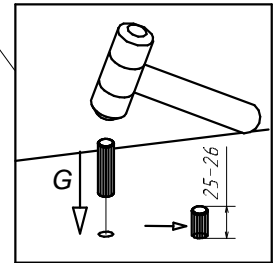
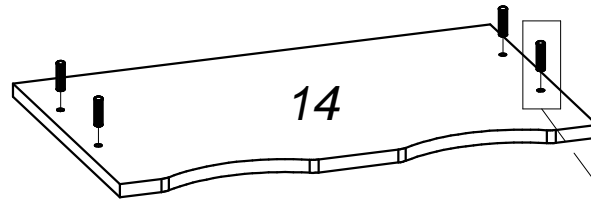
 ∅6,3x50 mm A1 x 8	 4 mm A3 x 1	 ∅4x16 mm D1 x 8	 N1 x 4					
---	---	---	---	--	--	--	--	--



8



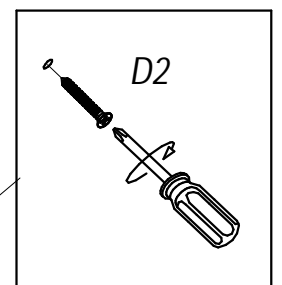
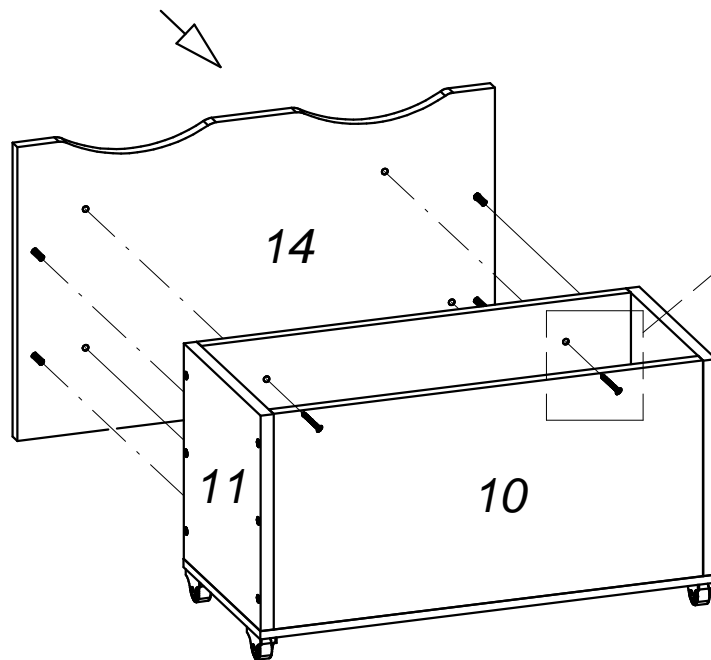
∅8x36 mm
G x 4



9



∅4x30 mm
D2 x 4



10

